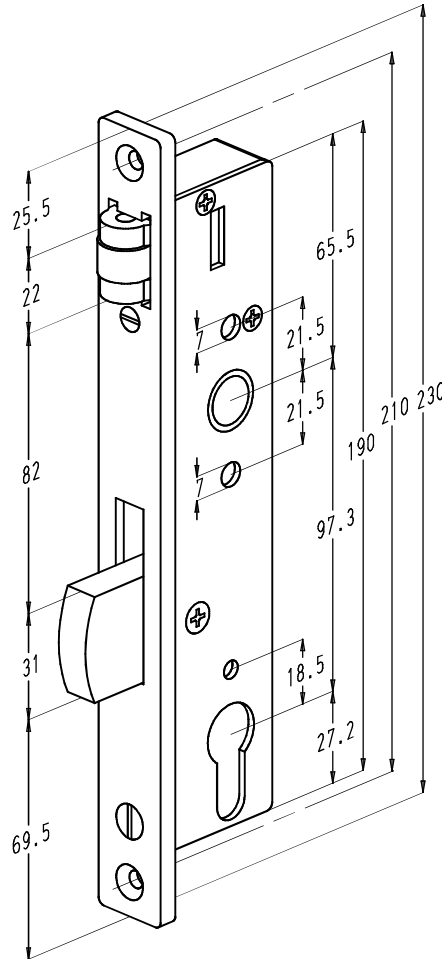
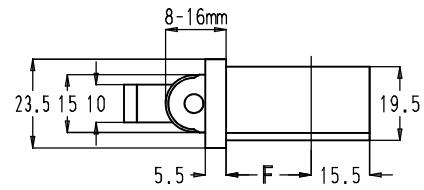




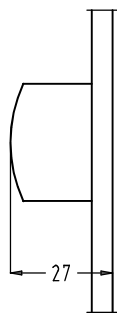
**1.4. Lock with roller and dead bolt**



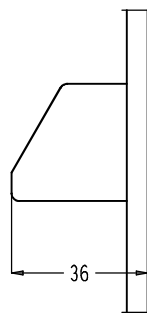
Order code standard type	Type bolt	F (mm)	Order code P-type
8011-25	A	22.5	8011P-25
8012-25	B		8012P-25
8011-30	A	27.5	8011P-30
8012-30	B		8012P-30



• Dead bolts:

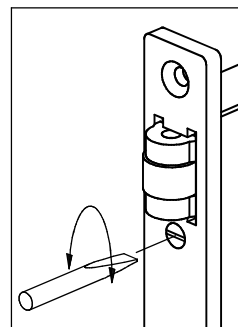


type A



type B

Adjustable roller



The roller has an adjustment range of 8 mm. Adjust the roller with a screwdriver.