

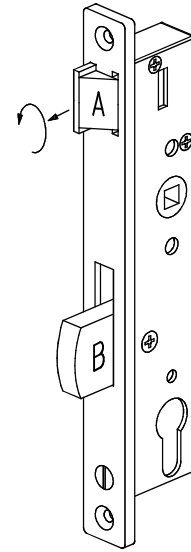


SINGLE LOCKS SERIES 8000

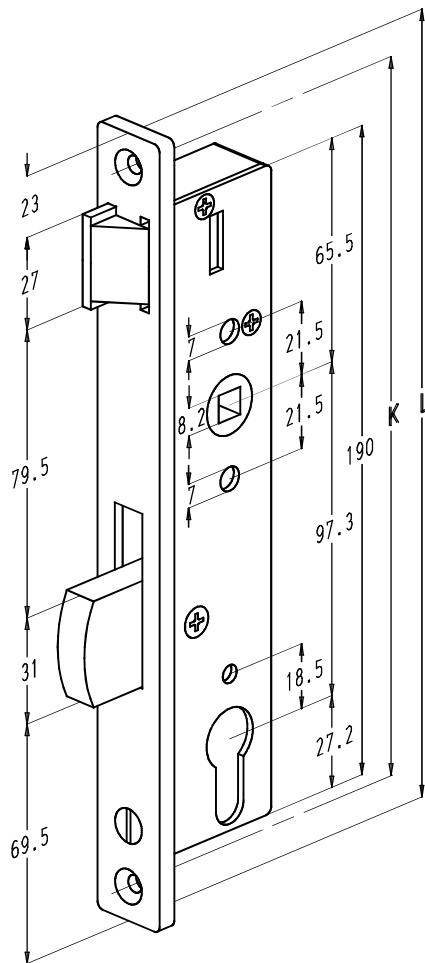
1.2. Turning of the latch bolt

Procedure:

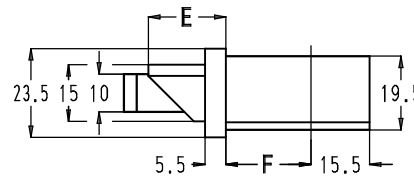
1. Put the dead bolt (B) in locked position.
2. Pull the latch bolt (A) forwards with a pair of pliers.
3. Turn the latch bolt (A) 180°.
4. Move the latch bolt (A) backwards.



1.3. Lock with latch bolt and dead bolt



Order code standard type	Type bolt	E (mm)	F (mm)	K (mm)	L (mm)	Order code P-type
8001-25	A	15	22.5	210	230	8001P-25
8002-25	B					8002P-25
8005-25	A	8005P-25				
8006-25	B	8006P-25				
8008-25	B	24				8008P-25
8001-30	A	15	27.5			8001P-30
8002-30	B					8002P-30
8005-30	A	8005P-30				
8006-30	B	8006P-30				
8001-35	A	15	32.5	222	238	8001P-35
8002-35	B					8002P-35



• Dead bolts:

