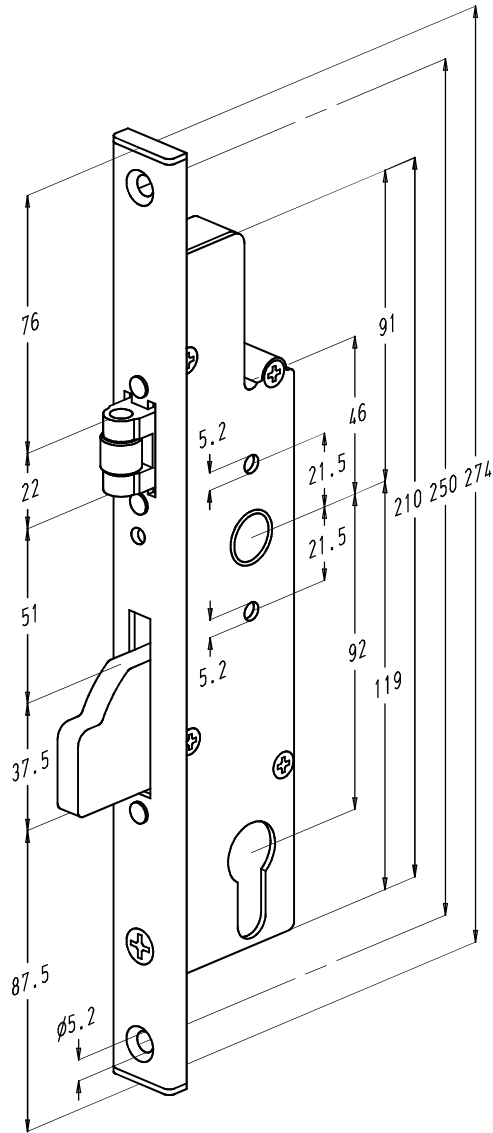


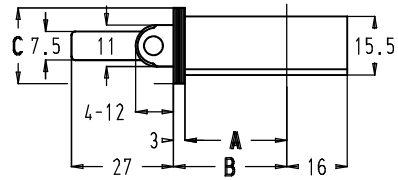


SINGLE LOCKS SERIES 8600

2.3. Lock with roller and dead bolt

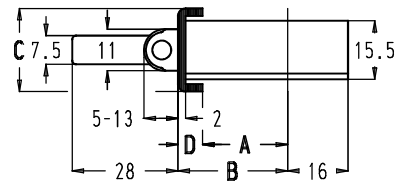


Flat faceplate



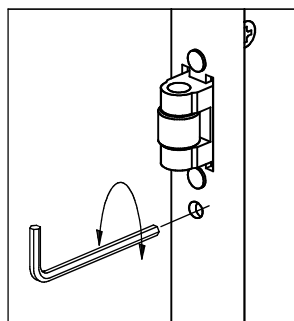
Order code	A (mm)	B (mm)	C (mm)
8611-16-30	27	30	16
8611-16-35	32	35	
8311-16-40	37	40	
8611-20-30	27	30	20
8611-20-35	32	35	
8311-20-40	37	40	
8611-24-30	27	30	24
8611-24-35	32	35	
8311-24-40	37	40	

U-faceplate



Order code	A (mm)	B (mm)	C (mm)	D (mm)
8611-U22-25	22.5	29	22	6.5
8611-U22-30	27.5	34		6.5
8311-U22-35	32.5	39		6.5
8611-U24-25	22.5	29	24	6.5
8611-U24-27	24	29		5
8611-U24-30	27.5	34		6.5
8611-U24-32	29	34		5
8311-U24-35	32.5	39		6.5
8311-U24-37	34	39		5

Adjustable roller



- The roller has an adjustment range of 8 mm. Adjust the roller with a hexagonal spanner of 2.5 mm.